

# Bell Hydromatics

## Fixed Displacement Vane Pumps

### Single Pumps

#### IVP(Q)3



#### IVP(Q) Single Pumps Max. Continuous Pressures

Frame Size	◆Code	Geometric Displacement cm <sup>3</sup> /r	IVP(Q)		F11-IVP(Q)		F3-IVP(Q)		Min. Speed (rpm)
			♣using antiwear oil or phosphate ester fluid		Using water glycol fluid		Using Water-in-oil emulsions		
			Max. Pressure (bar)	Max. Speed (rpm)	Max. Pressure (bar)	Max. Speed (rpm)	Max. Pressure (bar)	Max. Speed (rpm)	
IVP(Q)3	17	53.3	172	1800	157	1500	138	1200	600
	21	66.7							
	25	79.2							
	30	95.0							
	32	100							
	35	109							
	38	118							
	42	134	138	138					

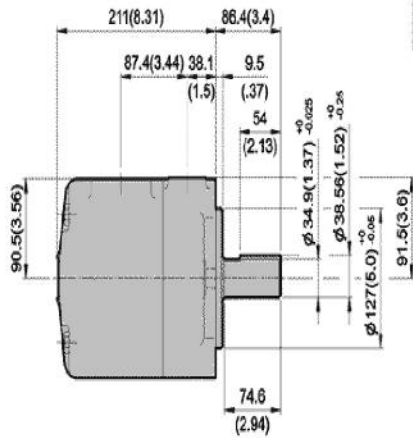
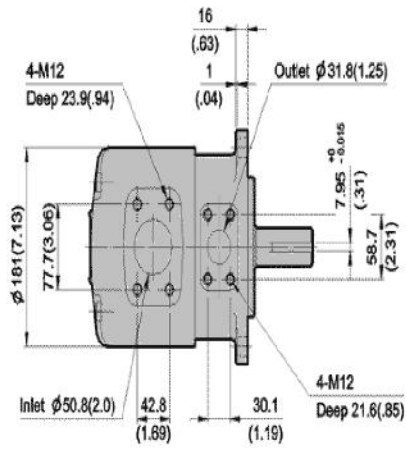
◆ Transient (peak) pressure 10% over the max. continuous pressure rating for 0.5 seconds or less duration is allowed.

♣ Rated capacity in USgpm at 1200 rpm and 6.9 bar

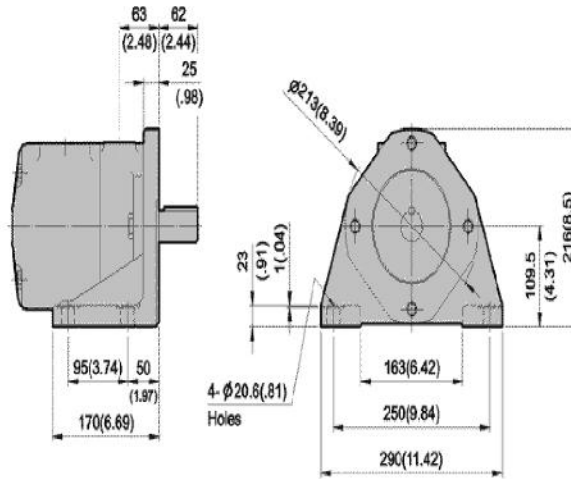
# Dimensions

## IVP3 Single Pumps – Dimensions

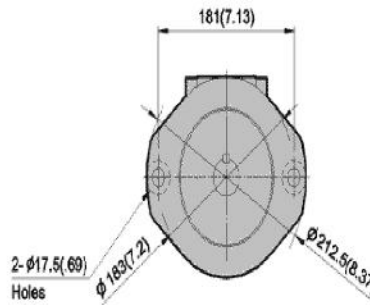
### IVP3 Flange Mounting



### IVP3 Foot Mounting

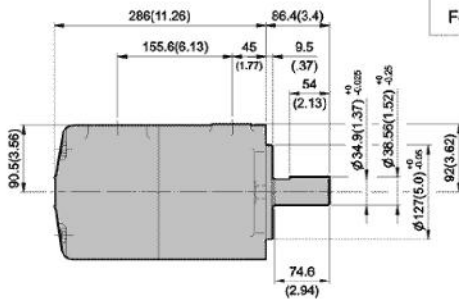
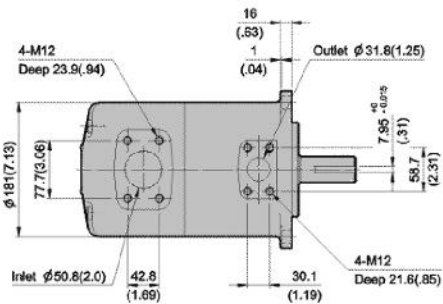


For other dimensions, refer to "Flange Mounting" type

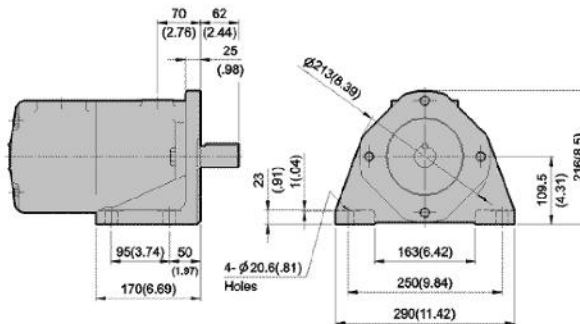


## IVPQ3 Single Pumps – Dimensions

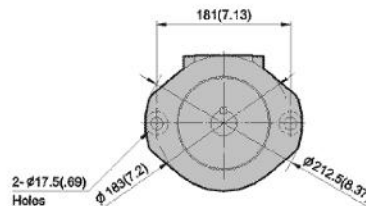
### IVPQ3 Flange Mounting



### IVPQ3 Foot Mounting

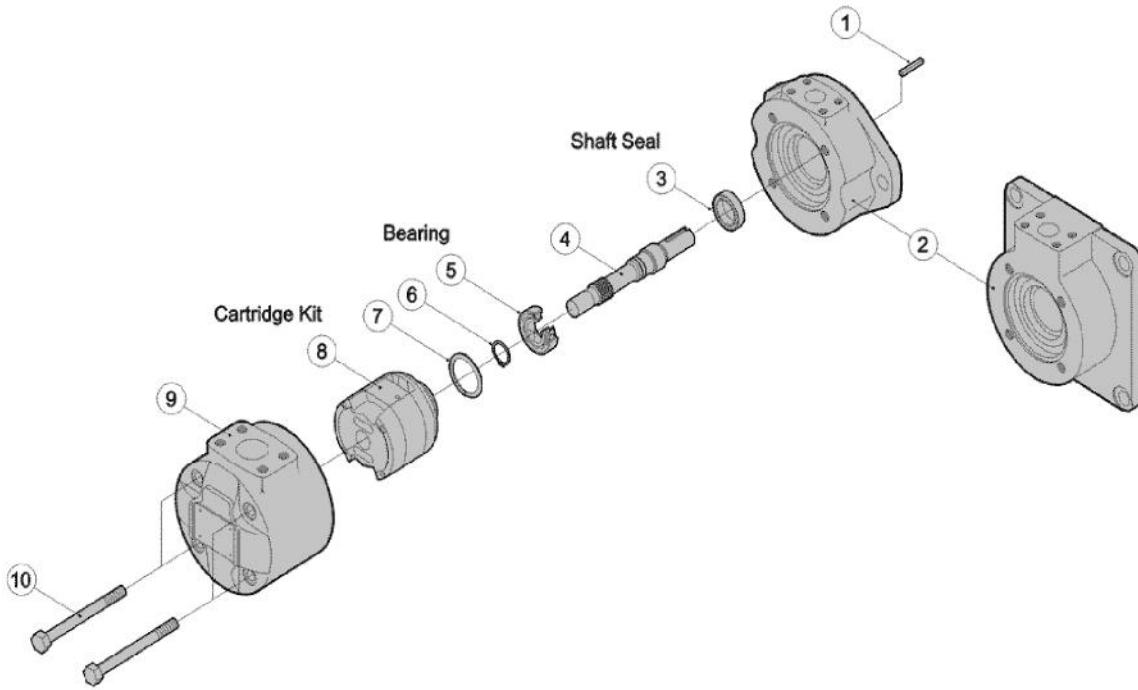


For other dimensions, refer to "Flange Mounting" type



# Assembly

## IVP3 Single Pumps – Assembly



## IVPQ3 Single Pumps – Assembly

